

HFX SHEAR PANEL WALL HEIGHT OPTIONS

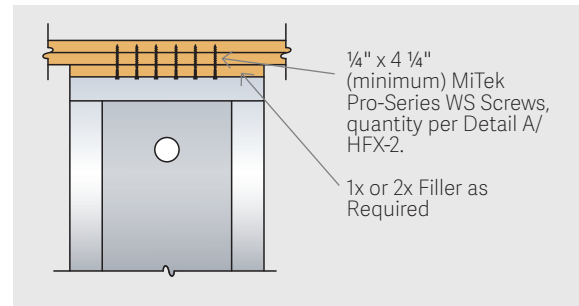
OPTION 1: CUSTOM HEIGHT HFX SHEAR PANELS

ADVANTAGES:

- Custom height to meet the specifics of a project
- Simplest installation method for contractors
- No additional out of plane bracing at HFX panel edges required

NOTES:

- Refer to HFX Typical Installation Detail 5b on sheet HFX2



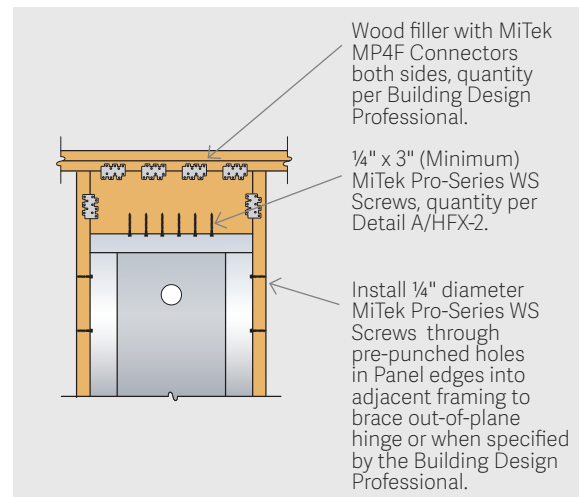
OPTION 2: STANDARD HEIGHT HFX SHEAR PANEL W/ FILLER > 1 1/2\" AND KING STUDS

ADVANTAGES:

- Use standard height panels for non-standard height wall applications
- Easily accommodate sloping top plate wall conditions
- Leverage adjacent framing members for out of plane bracing
- Applicable for height adjustments that require 13 1/2\" or less in the field

NOTES:

- Refer to HFX Typical Installation Detail 6 on sheet HFX2



OPTION 3: STANDARD HEIGHT HFX SHEAR PANEL W/ FILLER > 3 1/2\" AND MITEK FILLER BRACES (HFFB)

ADVANTAGES:

- Use standard height panels for non-standard height wall applications
- Eliminate the need for adjacent framing to minimize the width of the wall pier
- Universal application for any model number and either edge of Panel
- Applicable for height adjustments that require 13 1/2\" filler or less in the field

NOTES:

- Applicable for single HFX Shear Panel or Brace Frames within a nominal 4\" (e.g. 3 1/2\") wide wall
- Filler Brace develops 85% of the out-of-plane capacity per ESR-2089
- Allowable shear, drift and uplift values must be referenced assuming the full assembly height (e.g. bottom of HFX panel to top of the filler)
- Refer to HFX Typical Installation Detail 6-ALT on sheet HFX2. Requires review and approval by the engineer of record prior to implementation.

